

23 years of Upvc profile from German technology



uPVC PROFILES | WINDOWS | DOORS | PRE-FABS



**Arcus**  
SOLUTION



SLIDING DOOR



BI-FOLD DOORS

COLOURS



WHITE



ANTHRACITE GREY



GOLDEN OAK



WALNUT



CASEMENT DOOR



GLASS TO GLASS JOINT WINDOW



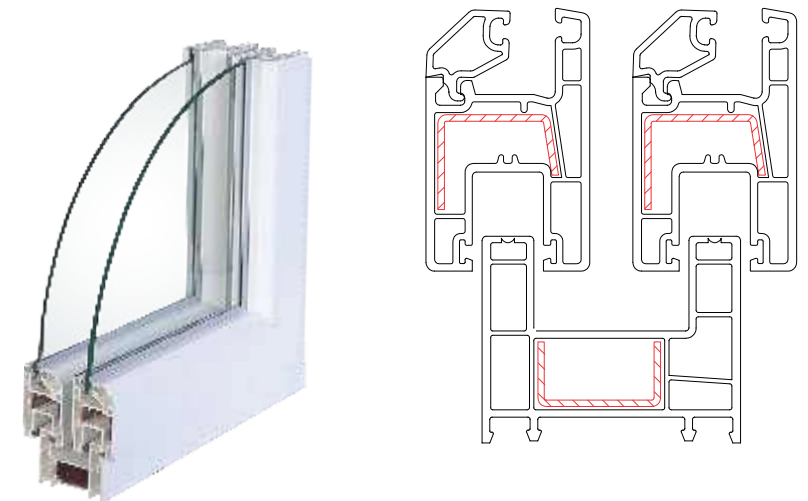
INTEGRATED GRILL WINDOW

## SLIDING WINDOWS

SERIES 60<sub>mm</sub>



- Application  
Recommended for commercial and budget housing  
Minimum Window Seal : 80mm  
Glass : upto 20mm
- Available Colours : White, Walnut, Golden Oak, Grey
- Features  
Compatible with sash 61mm and super sash 85mm
- Lock  
61mm sash : Touch Lock & Crescent Lock  
85mm Super Sash : Touch Lock & Multi locking system
- Aluminium capping track rail
- Bug Mesh provision not available

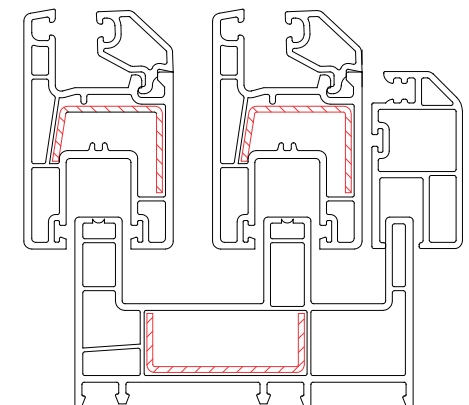


## SLIDING WINDOWS

SERIES 88mm



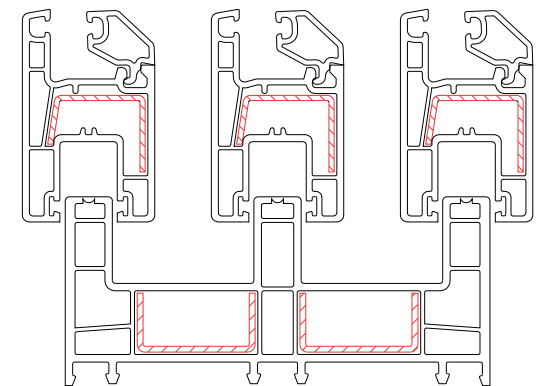
- Application  
Recommended for commercial, residential apartment and villa.  
Minimum Window Seal : 110mm  
Glass : upto 20mm
- Available colours : White, Walnut, Golden Oak, Grey
- Features  
Compatible with sash 61mm and super sash 85mm
- Lock  
61mm sash : Touch Lock & Cresnet Lock  
85mm Super Sash : Touch Lock & Multi locking system  
Aluminium capping track rail  
Bug Mesh available with 42mm & 58mm screen sash



## SLIDING WINDOWS

SERIES 108mm

- Application
  - Recommended for commercial ,residential apartment and villa.
  - Structural design considered for high wind load resistance in highrise buildings.
  - Minimum Window Seal : 150 mm
  - Glass : upto 20mm
- Available colour : White, Walnut, Golden Oak, Grey
- Features
  - Compatible with Sash 61mm and super sash 85mm
- Lock:
  - 61mm sash: Touch Lock & Crescent Lock
  - 85mm super sash: Touch Lock & Multi locking system
- Aluminium capping track rail
- Bug Mesh available with 61mm & 85mm screen sash
- uPVC mullion for glass as well as bug mesh available

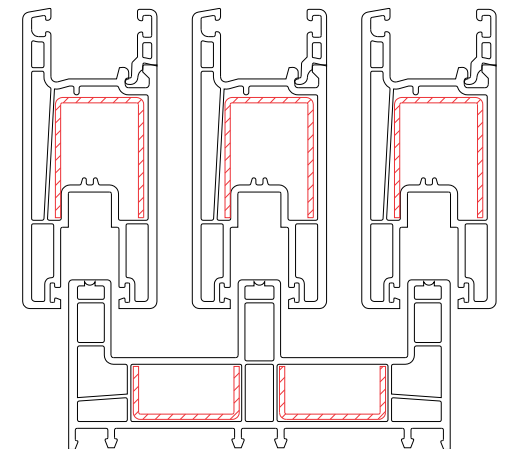


## SLIDING DOORS

SERIES 108mm



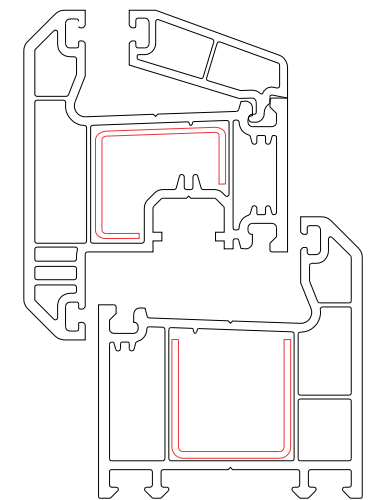
- Application
  - Recommended for commercial, residential apartment and villa with big openings
  - Structural design considered for high wind load resistance in highrise buildings
  - Minimum Window Seal : 150 mm for 3 Track  
180mm for 3track + addon track
  - Glass : upto 20mm
- Available colour : White, Walnut, Golden Oak, Grey
- Features
  - Compatible with super sash 85mm.
- Lock : Touch Lock & Multi locking system.
  - Aluminium capping track rail.
  - Bug Mesh 61mm & 85mm screen sash
  - uPVC mullion for glass as well as bug mesh
  - Attachable addon track for mesh shutter
  - Multiple options for glass and mesh combinations possible



## CASEMENT WINDOWS

SERIES 60<sub>mm</sub>

- Application
  - Recommended for commercial, residential apartment and villa with small width openings
  - Structural design considered for friction as well as 2D hinges
  - Used for Combination louvers and Fix Window frames
  - Minimum Window Seal: 80mm
  - Glass : upto 30 mm
  - Glass with Integrated blinds can be installed in window frame
  
- Available colour : White, Walnut, Golden Oak, Grey
  
- Features
  - Compatible with Openable sash 75mm
  
- Lock : Single or Multi locking system
  - Special Integrated grill and bug Mesh available with 61mm screen sash

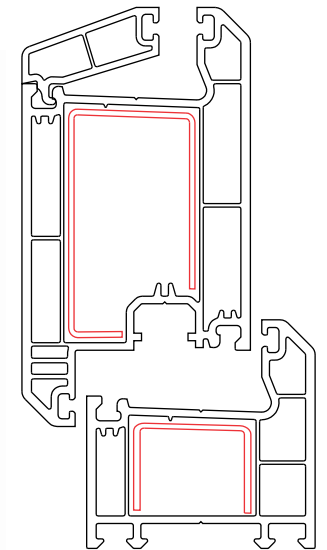


## CASEMENT DOORS

SERIES 60<sub>mm</sub>



- Application :
  - Recommended for commercial ,residential apartment and villa with large openings
  - Designed to sustain extreme wind load conditions
  - Structural design considered for 3D hinges
  - Minimum Window Seal : 80mm
  - Glass : upto 30 mm
  - Glass with Integrated blinds can be installed in window frame
- Available Colours : White, Walnut, Golden Oak, Grey
- Features
  - Compatible with Openable sash 110mm
- Lock : Multi locking system.







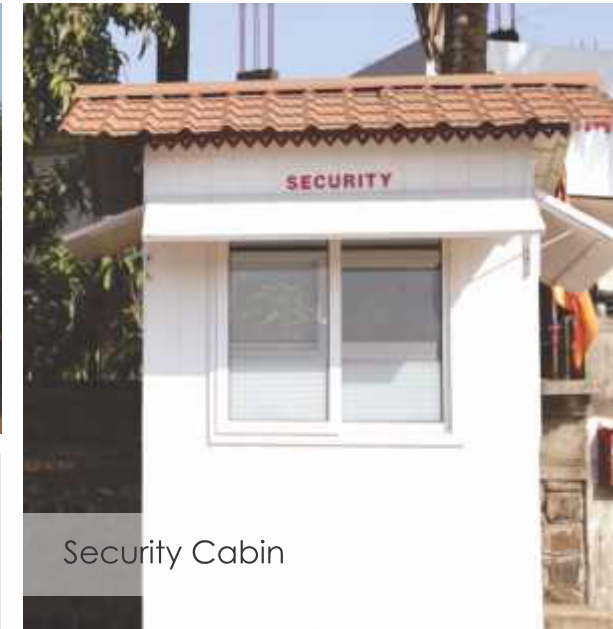
Lift & Shift Porta Cabin



Water ATM Cabin



Farmhouse Cabin



Security Cabin



Toilet Block



Customised Security Cabin



Site Office



Resort room





## PRE-FAB CABINS

### Highlights

- Pioneer in uPVC pre-fab structures in India
- uPVC multiwalled panels of dimensions 20 x 155 X 1.2 mm and 355 x 20 x 1.2mm
- Fixed with hidden screwing mechanism interlocked with tongue and groove system
- Nutbolt or Lift and Shift system available depending on the site requirements
- Specifically designed for outdoor applications to sustain Indian weather conditions

Available colour :

- White (Customized painting options available)



**uPVC Doors :**  
 Interlocked uPVC Multiwalled panels of dimension 31 X 150 X1.5 mm  
 Recommended for commercial and budget housing. Ideal for restroom doors.  
 Door along with frame options available

**WPC Doors :**

- 37mm multiwall extruded door with looks of wood and merits of PVC
- Recommended for premium villas and housing projects
- Hinge side with specially designed GI Reinforcement for better screwing and strength
- Available in Melamine polish of different shades
- Laminates and veneer can be pasted
- Compatible with all types of locks
- 100%Termite free and Weather resistant
- No Expansion or contraction due to weather changes



Coffee Brown (V2)



Sapeli (V3)



White Colour (V4)



Natural Black (V6)



Teakwood Polish (V7)



Walnut polish (V8)

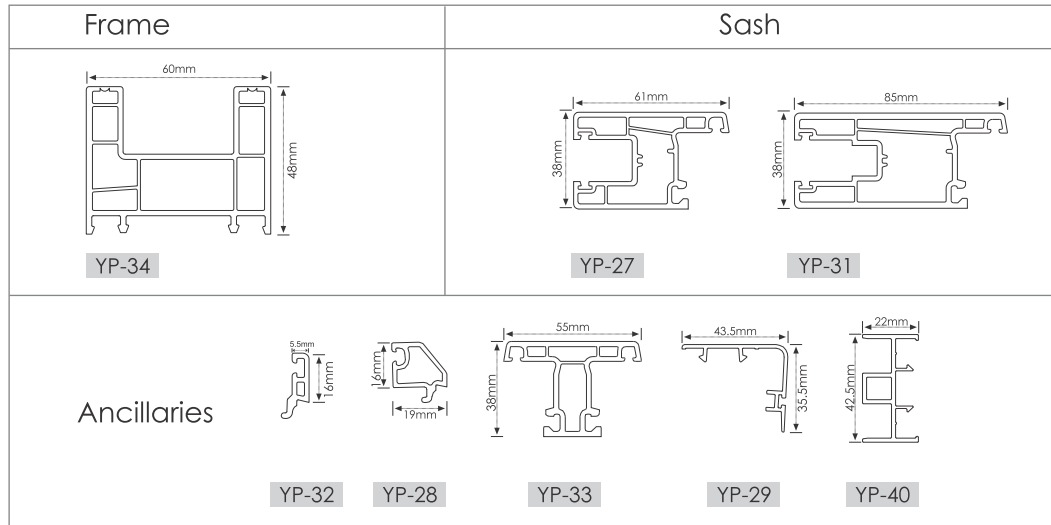


- uPVC Partition:
  - uPVC multiwalled panels of 20 X 155 X 1.2 mm and 355 X 20 X 1.2mm fixed with hidden screwing method on MS pipe structure interlocked with tongue and groove system
  - Nutbolt system available depending on the site requirements
  - Highly recommended for partitions and ceilings in offices and factories
  - Cost saving, easy and less time consuming installation process as compared to other conventional systems
  - uPVC Doors and Windows can be integrated based on the design
- Colour : White, Brown and Grey (Other colour options also available based on customer requirement)
  - Chemical and Fire retardant properties make this product highly recommendable for use in pharma, food and other allied industries
  - 100% Termite free and Weather resistant
  - No Expansion or contraction due to weather changes or moisture

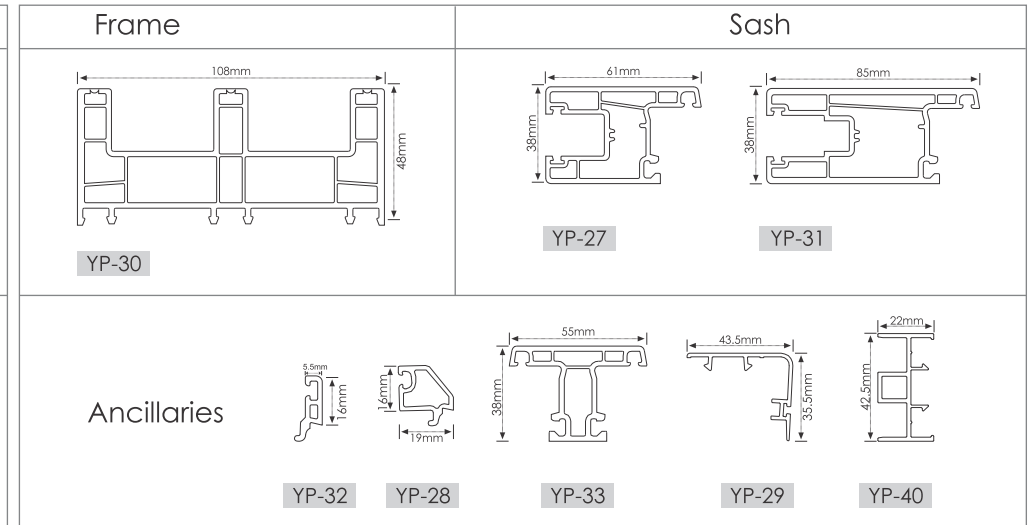


# PROFILE DESIGN

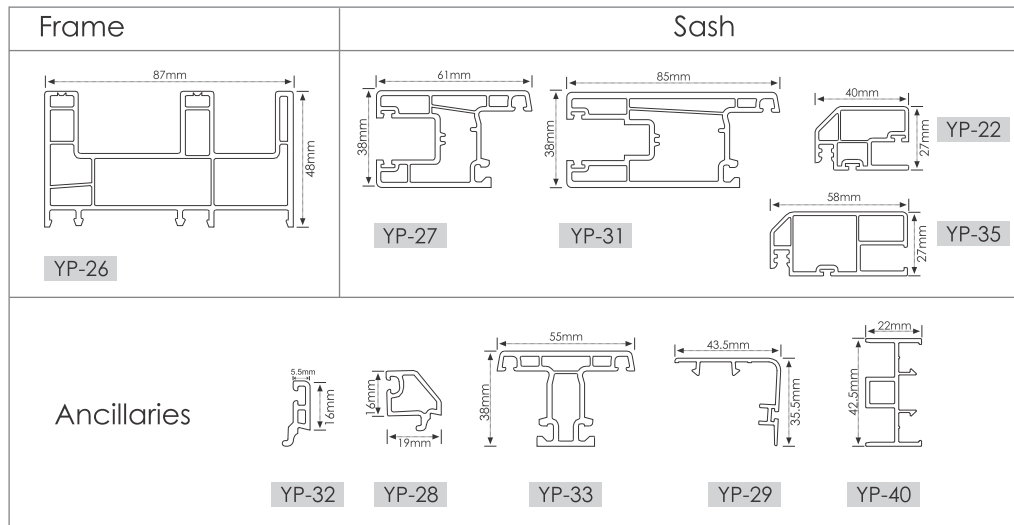
## Series : Sliding 60



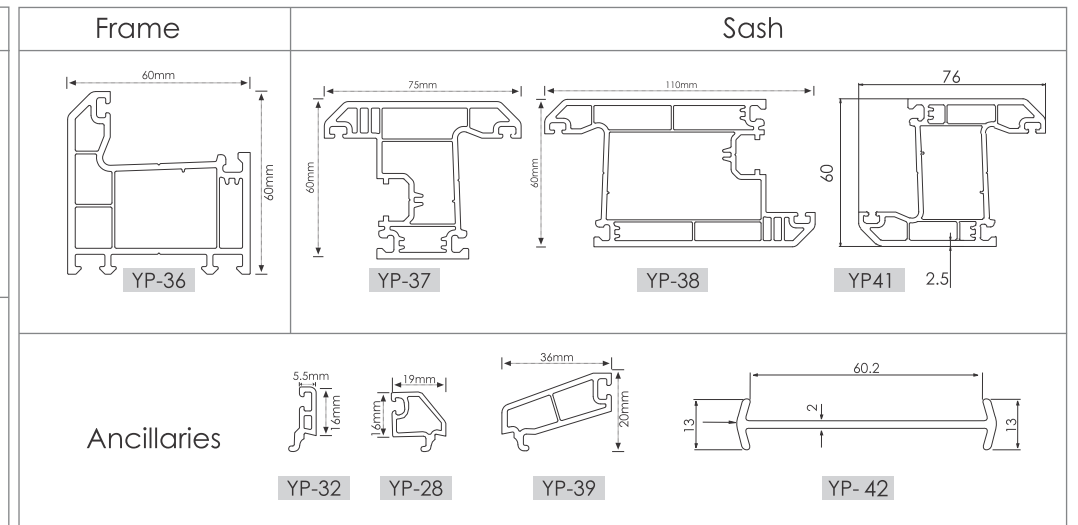
## Series : Sliding 108



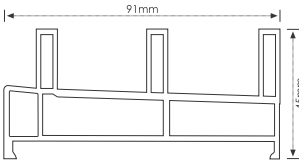
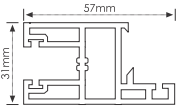
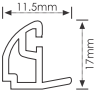
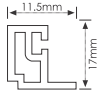
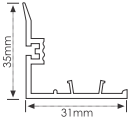
## Series : Sliding 88



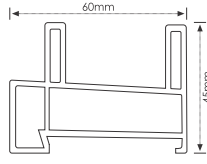
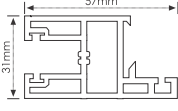
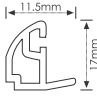
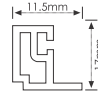
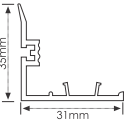
## Series : Casement 60



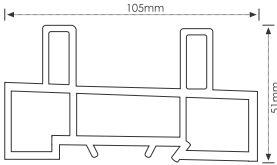
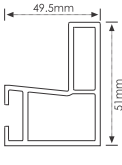
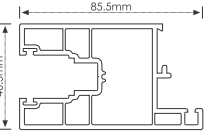
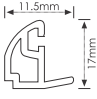
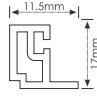
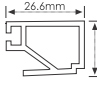
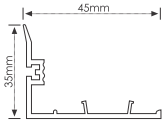
## Series : Sliding ECO 91

Frame	Sash
 <p>YP-01</p>	 <p>YP-02</p>
<p>Ancillaries</p> <div style="display: flex; justify-content: space-around; align-items: flex-end;"> <div style="text-align: center;">  <p>YP-16</p> </div> <div style="text-align: center;">  <p>YP-03</p> </div> <div style="text-align: center;">  <p>YP-14</p> </div> </div>	

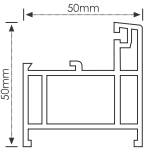
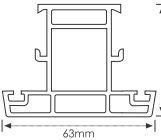
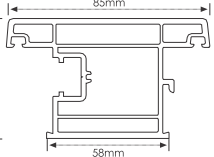
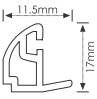
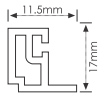
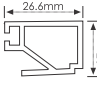
## Series : Sliding ECO 60

Frame	Sash
 <p>YP-18</p>	 <p>YP-02</p>
<p>Ancillaries</p> <div style="display: flex; justify-content: space-around; align-items: flex-end;"> <div style="text-align: center;">  <p>YP-16</p> </div> <div style="text-align: center;">  <p>YP-03</p> </div> <div style="text-align: center;">  <p>YP-14</p> </div> </div>	

## Series : Sliding Door 105, 155

Frame	Sash
 <p>YP-12</p>  <p>YP-20</p>	 <p>YP-23</p>
<p>Ancillaries</p> <div style="display: flex; justify-content: space-around; align-items: flex-end;"> <div style="text-align: center;">  <p>YP-16</p> </div> <div style="text-align: center;">  <p>YP-03</p> </div> <div style="text-align: center;">  <p>YP-04</p> </div> <div style="text-align: center;">  <p>YP-15</p> </div> </div>	

## Series : Casement 50

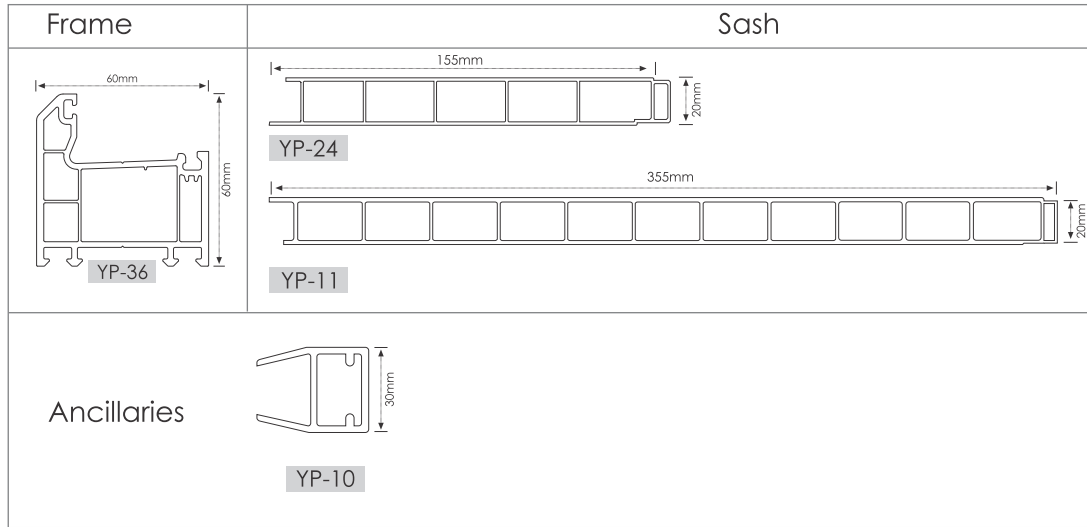
Frame	Sash
 <p>YP-25</p>	 <p>YP-06</p>  <p>YP-19</p>
<p>Ancillaries</p> <div style="display: flex; justify-content: space-around; align-items: flex-end;"> <div style="text-align: center;">  <p>YP-16</p> </div> <div style="text-align: center;">  <p>YP-03</p> </div> <div style="text-align: center;">  <p>YP-04</p> </div> </div>	



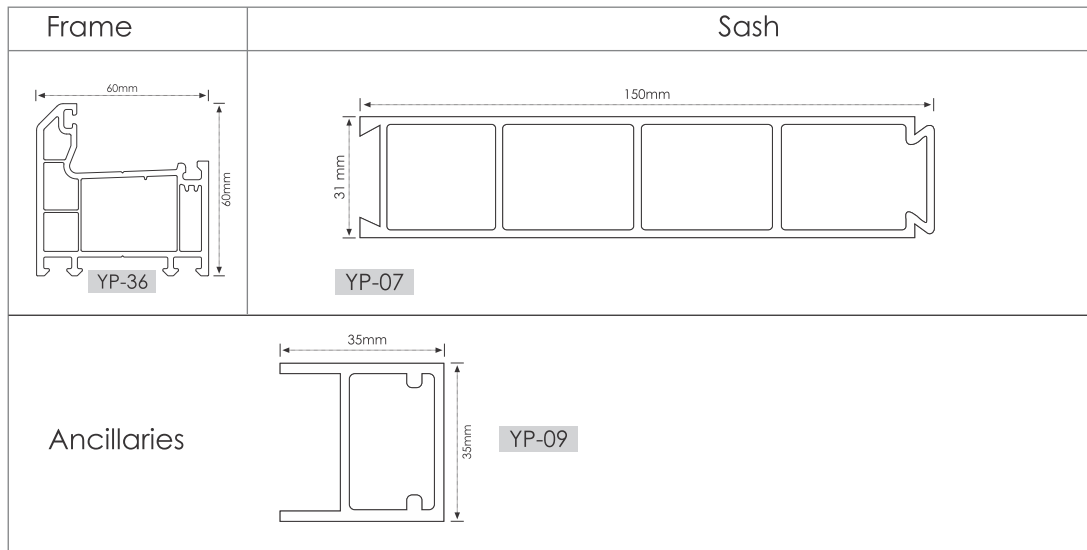
# uPVC DOOR

# PROFILEWISE REINFORCEMENT DRAWING

## Series : uPVC Door 20mm



## Series : uPVC Door 32mm



Profile Code	Reinforcement Drawing	Profile Code	Reinforcement Drawing
YP - 06		YP - 31	
YP - 18		YP - 33	
YP - 19		YP - 34	
YP - 23		YP - 35	
YP - 25		YP - 36	
YP - 26		YP - 37	
YP - 27		YP - 38	
YP - 30		YP - 41	

## ADVANTAGES

 <p>Impact-Resistant</p>	 <p>Waterproof</p>	 <p>Dustproof</p>	 <p>No Thermal Expansion</p>	 <p>Soundproof</p>	 <p>Flame Retardant</p>
 <p>Electrical Insulation</p>	 <p>Strong &amp; Durable</p>	 <p>Easy Maintenance</p>	 <p>Eco Friendly</p>	 <p>Economical</p>	 <p>Corrosion Retardant</p>



Centurion Design / 9923110044



Made with Love In India



**Arcus**  
SOLUTION

Arcus Solution, Lane No. 4, Koregaon Park,  
Pune, Maharashtra 411001

Contact : +91 9225613575

[contact@arcussolution.com](mailto:contact@arcussolution.com)